

# STI StopperSwitches®

## Indoor Push Buttons



### STANDARD MODELS:

#### Access Control Buttons:

SS3-7G14 - White Housing, Green Button, Momentary, DPC  
SS3-3W14 - Green Housing, White Button, Momentary, DPC

#### Pneumatic Access Control Buttons:

SS3-7G60 - White Housing, Green Button, Pneumatic, SPC  
SS3-3W60 - Green Housing, White Button, Pneumatic, SPC

#### Emergency Power Off Buttons:

SS3-5R04 - Yellow Housing, Red Button, Key to Reset, DPC  
SS3-5Y04 - Yellow Housing, Yellow Button, Key to Reset, DPC

#### Emergency/Evacuate Buttons:

SS3-7B04 - White Housing, Blue Button, Key to Reset, DPC  
SS3-9W04 - Blue Housing, White Button, Key to Reset, DPC

#### Panic/Isolate Buttons:

SS3-1W04 - Red Housing, White Button, Key to Reset, DPC  
SS3-7R04 - White Housing, Red Button, Key to Reset, DPC

#### Smoke Vent Buttons:

SS3-EW04 - Orange Housing, White Button, Key to Reset, DPC  
SS3-EE04 - Orange Housing, Orange Button, Key to Reset, DPC

### BUILD YOUR OWN MODELS:

For all available models please refer to BUILD YOUR OWN MODEL on reverse.  
Any non-standard models will require longer lead times. For further information on any of the StopperSwitch models, please contact Sales on +44 (0)1527 520 999.

## PRODUCT OVERVIEW

A highly versatile range of attractive indoor Push Buttons combining unique design, quality and value. These aesthetically appealing, low/high voltage switches fit any standard UK-type switch socket box, and are quick and easy to install.

### Dual Mount

Designed to fit either flush or surface installations (35mm black surface back box and flush mounting plate included).

- **StopperLatch – Key-to-Reset** - Models are for applications where repeat activation must be controlled. Once the switch has been manually activated, it can only be reset by inserting a special key.
- **StopperPush – Momentary** - Models are for applications where momentary push and release activation is desired.
- **StopperLatch – Pneumatic** - Models are for applications where momentary push and release is required, with a holding signal timer. Pneumatic adjustable timer opens or closes a circuit and has a timed delay before reset. No electricity to operate.

All models are available in a variety of colours with space for function marking or operating instructions. A number of standard models are available for quick delivery but enquiries for custom models are welcomed.

It is advisable to protect your StopperSwitches with an STI Euro Stopper®. The protective cover consists of a tough polycarbonate material and is available with or without integral sounder. The cover adds an extra measure of protection against damage and accidental activation.

## KEY FEATURES

### General Information

- Highly versatile range of attractive Push Buttons combining unique design, quality and value.
- One year guarantee on electromechanical and electronic components.

### Design

- Inset design on the push button helps prevent accidental activation.

### Construction

- Extremely attractive, high value look and feel: space available for function marking and operating instructions.

### Installation

- Supplied as a Dual Mount (35mm Back Box is included with all models) to allow the user the choice of flush or surface installation.
- Operating temperature -20°C (-4°F) to 65°C (149°F).

### Electronics

- Wide range of operating voltages up to 250 volts AC 6 Amps: Rated 6A 125/250VAC & 5A 30VDC (resistive load).

### Options

- Other models available - KeySwitches and Waterproof Push Button.
- Low profile, heavy-duty terminations - available in SPC & DPC arrangements.
- It is advised to protect the Push Button with an STI Protective Cover.

# STI StopperSwitches - Indoor Push Buttons

Dimensions and Technical Information

## BUILD YOUR OWN MODEL

SS3- - - - -

**Prefix Options:**  
SS3 = StopperSwitch

**Housing Colour & Mounting Options:**  
1 = Red - Dual Mount (includes 35mm back box)  
3 = Green - Dual Mount (includes 35mm back box)  
5 = Yellow - Dual Mount (includes 35mm back box)  
7 = White - Dual Mount (includes 35mm back box)  
9 = Blue - Dual Mount (includes 35mm back box)  
E = Orange - Dual Mount (includes 35mm back box)

**Button Colour:**  
R = Red  
G = Green  
Y = Yellow  
W = White  
B = Blue  
E = Orange  
NB: Please see Button Colour Conditionals below.

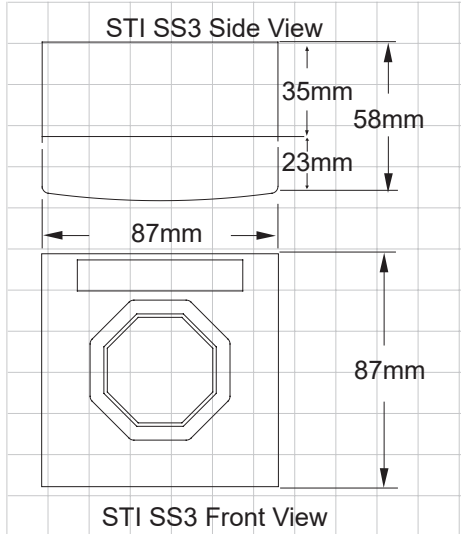
**Button Type Options:**  
0 = Latching (Key-to-Reset)  
1 = Momentary  
6 = Pneumatic

**Electrical Arrangement Options:**  
0 = Pneumatic only - Single Pole Changeover  
4 = Key-to-Reset and Momentary only - Multi-Function Signal (SPC & DPC)  
NB: Please see Electrical Conditionals below.

**Label Options:**  
For 'Standard Function Marking' no additional coding is required. Affix required text upon installation. Standard Function Marking Labels (black or white: depending on colour housing selected) include:  
- EMERGENCY - ISOLATE  
- EMERGENCY POWER OFF - PANIC ALARM  
- EMERGENCY STOP - POOL ALARM  
- EVACUATE - PRESS TO EXIT  
- EXIT - SHUT DOWN  
- GAS SHUT OFF - SMOKE VENT

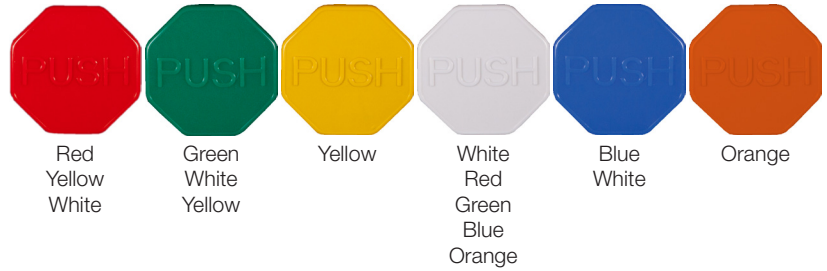
For Custom Label, add **-CL** to Product Code.  
Maximum 20 characters including spacing (1 line)

Push Button Models: Technical Specifications	
Rating	6A 125/250VAC 5A 30VDC (resistive load)
Electrical Contact Material	Silver plated brass
Housing & Back Box Material	Polycarbonate
Terminal Conductor Size	0.5mm - 2.5mm
Operating Temperature	-20°C to 65°C (-4°F to 149°F)
Mounting	Dual Mount (for Flush and Surface)



### Button Colour Conditionals:

Button colour and available Housing colours



### Electrical Arrangement Conditionals:

**0** **Single Pole Changeover:**  
Available for Pneumatic Push Buttons only.

**4** **Multi-Function Signal:**  
Available for Key-to-Reset and Momentary Models only.  
Can achieve Single Pole Changeover and Double Pole Changeover.

**Cover Options:**  
PLEASE NOTE: Covers are ordered separately.  
Other covers are available.

**Integral Cover**  
Designed to fit directly to the cover of the button, preventing accidental activation.

**Call Point Stopper**<sup>®</sup>  
Designed to retrofit over MCP's and buttons, preventing accidental activation.

**Euro Stopper**<sup>®</sup>  
Designed to retrofit over MCP's and buttons, preventing both accidental or malicious activation, available with or without an integral alarm.

**Universal Stopper**<sup>®</sup>  
Indoor and outdoor dome covers designed to retrofit over MCP's and emergency push buttons. Available with or without an integral sounder.

**Safety Technology International**

Taylor House  
34 Sherwood Road  
Bromsgrove  
Worcestershire  
B60 3DR, England

Tel: +44 (0)1527 520 999  
Fax: +44 (0)1527 501 999  
info@sti-emea.com  
www.sti-emea.com

2306 Airport Road  
Waterford, Michigan  
48327, USA

Tel: 248-673-9898  
Fax: 248-673-1246  
info@sti-usa.com  
www.sti-usa.com